

VSC 700 & VSC 700D

High Resolution Computer-to-Video Scan Converter with Genlock

NEW




VSC 700D

DESCRIPTION

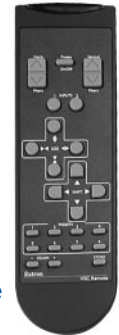
The Extron **VSC 700** and **VSC 700D** high resolution, computer-to-video scan converters combine high performance processing with an integrator friendly feature set, including a BNC RGB input with a loop-through output for easy integration. In addition, the VSC 700D offers an SDI digital output.

The VSC 700 and VSC 700D accept computer signals with resolutions up to 1600 x 1200 and output a scan converted NTSC or PAL video signal as composite video, S-video, component video, and/or RGB video. Both are designed to be integrated into applications such as videoconferencing, video recording, and viewing the images on an NTSC or PAL monitor or other display device. They may also be used in broadcast environments as both models have the ability to genlock to an external blackburst signal.

FEATURES

- **Autoscanning** – Automatically recognizes and adjusts for incoming computer video signals at resolutions up to 1600 x 1200 resolution, horizontal scan rates up to 100 kHz, and vertical refresh rates up to 120 Hz.
- **Integration-friendly input** – The input is on female BNC connectors, eliminating the need for adapter cables and offering the proven reliability of BNC connections.
- **Buffered loop-through** – Provides for local monitor output on BNC connectors, enabling a signal to be easily monitored or distributed without using a distribution amplifier.
- **Auto-Image™ setup** – A press of a button automatically adjusts the sizing, centering, and filtering to optimize the output image. This can save time and effort in fine tuning displayed images.
- **Three simultaneous outputs** – NTSC or PAL video is output as RGBHV, RGBS, RGsB, or component video, S-video, and composite video.
- **Optional fourth SDI output (VSC 700D only)** – A digital 4:2:2 output is available for incorporating digital video devices into environments such as video production studios, non-linear editing suites, staging events, and video broadcast studios.
- **Input memory presets** – Allow the scan converter to automatically recall up to 16 user presets and 60 factory presets.
- **Zoom presets** – Eight zoom presets are available for recalling size, position, and filtering, accessible via the included IR, RS-232, or RS-422. This feature enables the user to quickly zoom in on a certain area of the image.
- **High quality zooming and panning** – Both VSC 700 models feature variable zoom up to 200% to allow panning across the screen. User-friendly positioning, including centering and sizing, is accessible through the front panel for quick and efficient image setup.
- **Horizontal and vertical (flicker) filtering** – The VSC 700 models have four horizontal filters and four vertical filter settings selectable through the front panel LCD navigation menus. Filters reduce jitter, improve image stability, and assure that minimal picture detail is dropped during scan conversion.

- **Freeze button** – The output signal of the VSC 700 and VSC 700D can be frozen using the freeze button on the front panel. This feature allows the scan converter to capture a frame of video to display for an extended period of time, even after the source has been removed.
- **Genlock** – All video outputs (NTSC and PAL) can be synchronized to an external reference signal. Genlock capabilities enable editing, and make transitions cleaner in a timed system.
- **Internal color bar generator** – Both VSC 700 models include a color bar pattern for simplified setup of a display. The color bar pattern can also be set as the default output when there is no input signal present.
- **RS-232 and RS-422 remote control** – A rear panel RS-232 and RS-422 control port provides connection to a third-party control system utilizing Extron's Simple Instruction Set (SIS™), which provides easy operation of the VSC 700 scan converters.
- **Downloadable firmware** – The newest firmware can be conveniently downloaded from the Extron Web site. Updates for new features and capabilities can be easily upgraded through the RS-232 and RS-422 port.
- **Front panel security lockout** – Ideal for unsecured environments, this feature enables the user to lock out all front panel functions except for centering controls; all other functions remain active through RS-232 and RS-422.
- **Flexible mounting options** – The VSC 700 and VSC 700D are housed in 1U, half rack width metal enclosures that can be mounted under or through a desk or in a rack.
- **Internal international power supply** – The 100-240VAC, 50/60 Hz, autoswitchable, internal power supply provides worldwide power compatibility.
- **VSC Remote** – The included Extron VSC Remote provides infrared remote control. It performs most front panel functions such as image freeze, zoom in and out, size and shift both horizontally and vertically, adjust the vertical filters, and set presets.



VSC Remote

MODEL

VSC 700
VSC 700D (with SDI output)

PART

60-477-01
60-477-02

INCLUDED ACCESSORIES

VSC IR Remote 70-206-01
BNC termination adapter 26-300-01
SVHSF 6' cable 26-542-02

OPTIONAL ACCESSORIES

1U Half Rack Under Desk Mounting Kit 70-219-01 (page 443)
1U Universal Rack Shelf (gray) 60-190-01 (page 445)
SVHSM-BNCF Adapter 26-353-01 (page 418)
BNCFM-RCAF Adapter 10-264-01 (page 418)
S-video cable 6' (1.8m) 26-316-02 (page 405)
BBG 6 A Blackburst & Audio Generator..... 60-535-01 (page 347)
SDI Output Card (VSC 700) 70-065-02 (page 439)



VSC 700 & VSC 700D (continued)...

SPECIFICATIONS

VIDEO INPUT

Number/signal type	1 RGBHV, RGBS, RGsB with 1 buffered loop-through
Connectors	2 x 5 female BNC (5 for input, 5 for loop-through)
Nominal level.....	0.7V p-p for RGB
Minimum/maximum levels	0V to 2.0V p-p with no offset at unity gain
Impedance	75 ohms
Horizontal frequency	Autoscan 24 kHz to 100 kHz
Vertical frequency	Autoscan 50 Hz to 120 Hz
Resolution range	Autoscan 560 x 384 to 1600 x 1200
Maximum DC offset	2.0V
External sync (genlock).....	0.3V to 1.0V p-p

VIDEO PROCESSING

Encoder	10 bit digital
Digital sampling.....	24 bit, 8 bits per color
Colors	16.8 million
Horizontal filtering.....	4 levels
Flicker filtering	4 levels
Encoder filtering	4 levels

VIDEO OUTPUT

Number/signal type	1 RGBHV, RGBS, RGsB, or component video 1 SDI component video (VSC 700D only) 1 S-video
Connectors	1 composite video (NTSC/PAL) 5 BNC female: RGBHV/RGBS/RGsB/component video 1 BNC female: SDI component video (VSC 700D only) (1) 4-pin mini-DIN female: S-video 1 BNC female: composite video
Nominal level.....	0.7V p-p for RGB
Minimum/maximum levels	0.0V to 1.0V p-p
Impedance	75 ohms

SYNC

Input type	Autodetect RGBHV, RGBS, RGsB
Output type	RGBHV, RGBS, RGsB
Genlock connectors	1 BNC female: genlock input 1 BNC female: genlock output (terminate w/75 ohms if unused)
Standards	NTSC 3.58, PAL
Input level	1.5V to 5.0V p-p
Output level	TTL: 5.0V p-p, unterminated
Input impedance	600 ohms
Output impedance	75 ohms
Max input voltage	5.0V p-p
Polarity	Negative

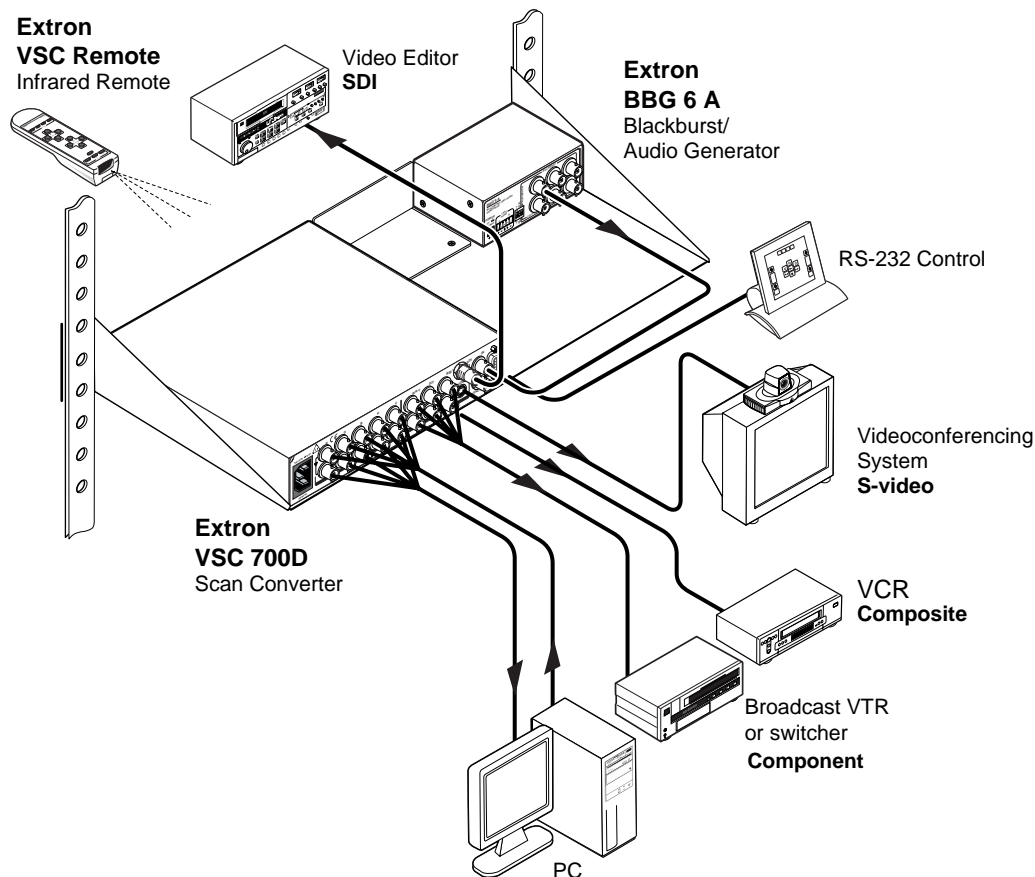
CONTROL/REMOTE

Serial control port	RS-232 or RS-422, 9-pin female D connector
IR remote control.....	VSC Remote
Program control.....	Extron's control program for Windows® Extron's Simple Instruction Set™ (SIS™)

GENERAL

Power	100VAC to 240VAC, 50/60 Hz, 30 watts, internal, autoswitchable
Rack mount	Yes, with brackets
Enclosure type	Metal
Enclosure dimensions	
VSC 700	1.75" H x 8.75" W x 10.5" D (1U high, half rack width) 4.4 cm H x 22.2 cm W x 26.7 cm D (Depth excludes knobs.)
VSC 700D	1.75" H x 8.75" W x 10.75" D (1U high, half rack width) 4.4 cm H x 22.2 cm W x 27.3 cm D (Depth excludes knobs.)
Product weight	
VSC 700	2.8 lbs (1.3 kg)
VSC 700D	2.9 lbs (1.3 kg)
Shipping weight.....	5 lbs (2.3 kg)
Listings/Compliances	UL, CUL, CE, FCC Class A, VCCI, AS/NZS, ICES
Warranty	3 years parts and labor

APPLICATION



Extron Electronics

Copyright © 2003 Extron Electronics. All rights reserved.
PRICES AND SPECIFICATIONS ARE SUBJECT TO CHANGE WITHOUT NOTICE

www.extron.com

USA	714.491.1500 (800.633.9876)	FAX 714.491.1517
Europe	+31.33.453.4040 (+800.3987.6673)	FAX +31.33.453.4050
Asia	+65.6383.4400	FAX +65.6383.4664
Japan	+81.3.3511.7655	FAX +81.3.3511.7656